



40 GHz SMA-2.9 LATCHING S.P.6 T. SWITCH

OPTIONS : / SEPARATED RESETS / INDICATOR / POSITIVE COMMON

RF CHARACTERISTICS

NUMBER OF WAYS : 6
 FREQUENCY RANGE : 0 - 40 GHz
 IMPEDANCE : 50 Ohms

FREQUENCY (GHz)	0 - 6	6 -12.4	12.4- 18	18 -26.5	26.5- 40
V.S.W.R <=	1.30	1.40	1.50	1.70	2.20
INSERT. LOSS <=	0.20 dB	0.40 dB	0.50 dB	0.70 dB	1.10 dB
ISOLATION >=	70 dB	60 dB	60 dB	55 dB	50 dB
AVER. POWER (*)	40 W	25 W	15 W	10 W	3 W

SWITCH REPEATABILITY : 0.03 dB peak change in insertion loss over 100 cycles

ELECTRICAL CHARACTERISTICS

ACTUATOR : LATCHING
 NOMINAL CURRENT AT 25° C (+10%) : 125 mA
 ACTUATOR VOLTAGE (Vcc) : 28V (24 to 30V) / POSITIVE COMMON
 TERMINALS : 25 pins D-SUB male connector
 INDICATOR RATING : 1 W / 30 V / 100 mA

MECHANICAL CHARACTERISTICS

CONNECTORS : SMA 2.9 fem.per MIL C 39012
 LIFE : 2.000.000 cycles per position
 SWITCHING TIME (nominal voltage;25° C) : < 15 ms
 CONSTRUCTION : vacuum compatible
 WEIGHT : < 220 g

ENVIRONMENTAL CHARACTERISTICS

OPERATING TEMPERATURE RANGE (°C) : -40 , +85
 STORAGE TEMPERATURE RANGE (°C) : -55 , +85

(* : average power at 25° C per RF path)

This information is given as an indication. In the continual goal to improve our products, we reserve the right to make any modifications judged necessary.

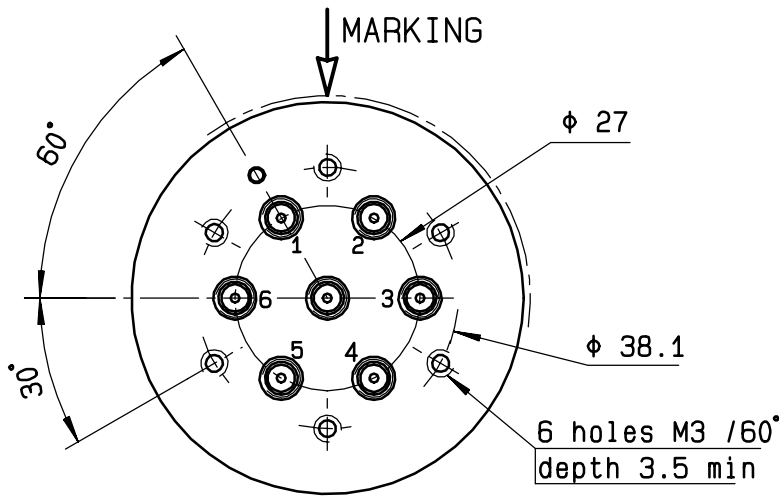
4112-9212

CREATION				
N° :				
PEN/EP: PEN05111				
Name: LJ				
Date: 04.MAY.05				
APP.: PG				
ISSUE		REVISIONS		APPR.

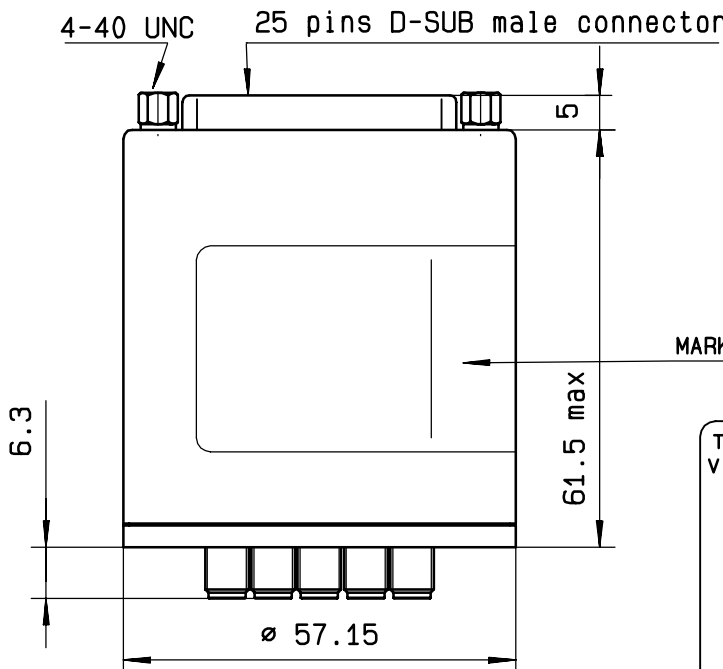
DRAWING

General tolerance: ± 0,5 mm

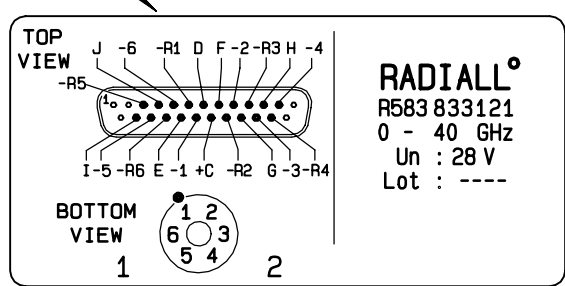
R583 833 121



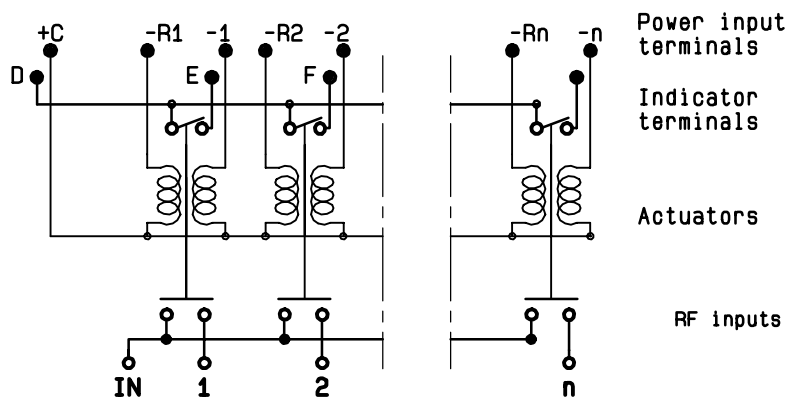
Voltage	RF continuity	Ind.
+C -1	P1 ↔ R	D.E
+C -R1	P1 ↔ J1	--
+C -2	P2 ↔ R	D.F
+C -R2	P2 ↔ J2	--
+C -3	P3 ↔ R	D.G
+C -R3	P3 ↔ J3	--
+C -4	P4 ↔ R	D.H
+C -R4	P4 ↔ J4	--
+C -5	P5 ↔ R	D.I
+C -R5	P5 ↔ J5	--
+C -6	P6 ↔ R	D.J
+C -R6	P6 ↔ J6	--



MARKING TOP VIEW (TERMINALS)



SCHEMATIC DIAGRAM



4113-9212 This information is given as an indication. In the continual goal to improve our products, we reserve the right to make any modifications judged necessary